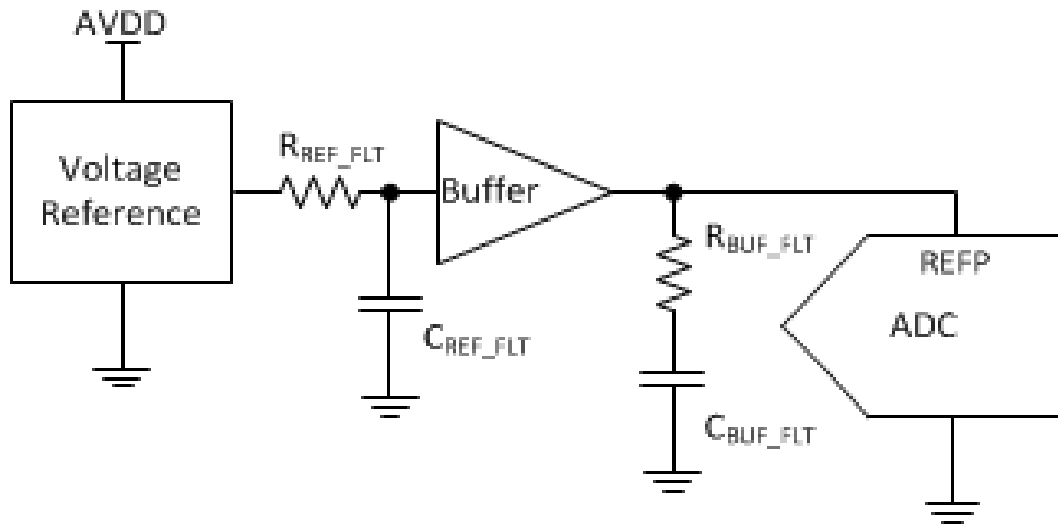




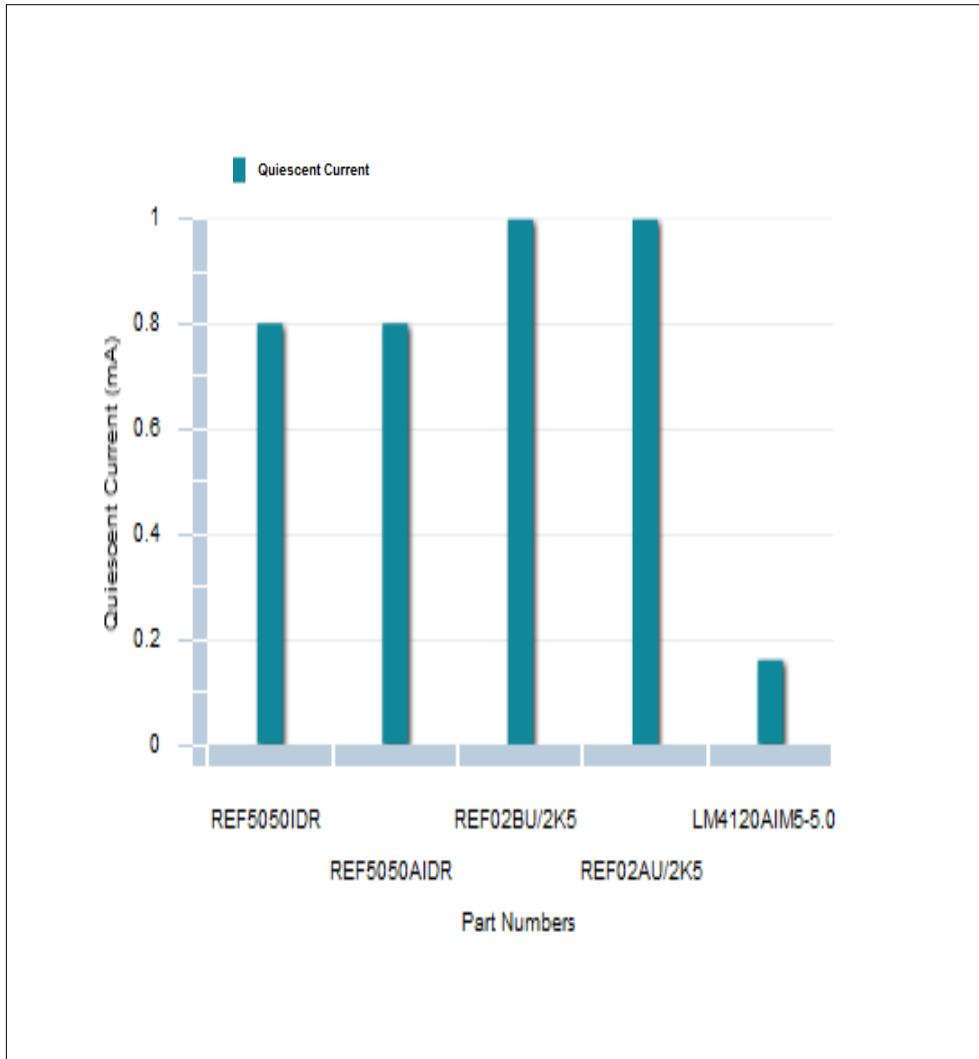
WEBENCH® Series Voltage Reference Selector

ADC Selected: ADS1259-Q1
Resolution: 24
INL : null
DNL : null
Digital Supply Min : 2.7
Digital Supply Max : 5.5
ADC Noise : -



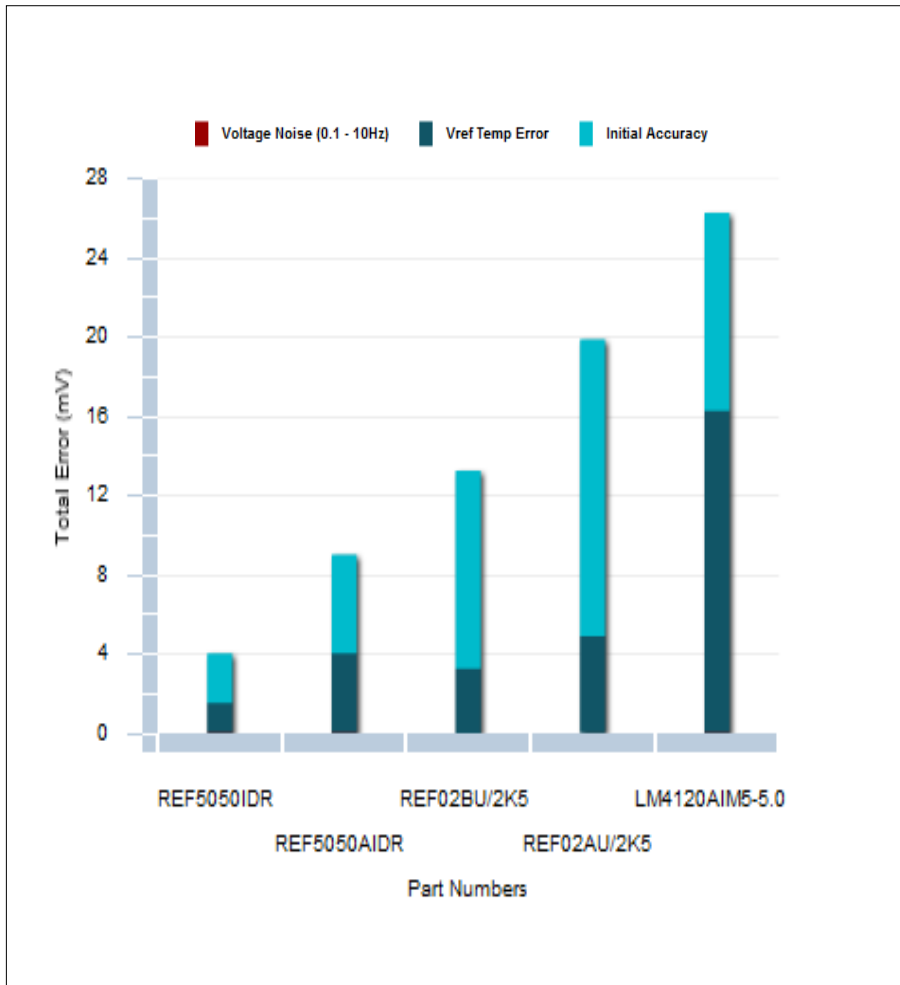
Series Voltage References

Part Number	Reference Output (V)	Initial Accuracy (%)	Temperature Drift (°C)	Quiescent Current (mA)	Min Operating Temperature (°C)	Max Operating Temperature (°C)	Voltage Noise (μVp-p)
REF5050IDR	5	0.05	3	0.8	-40	125	15
REF5050AIDR	5	0.1	8	0.8	-40	125	15
REF02BU/2K5	5	0.2	10	1	-40	85	4
REF02AU/2K5	5	0.3	15	1	-40	85	4
LM4120AIM5-5.0	5	0.2	50	0.16	-40	85	20



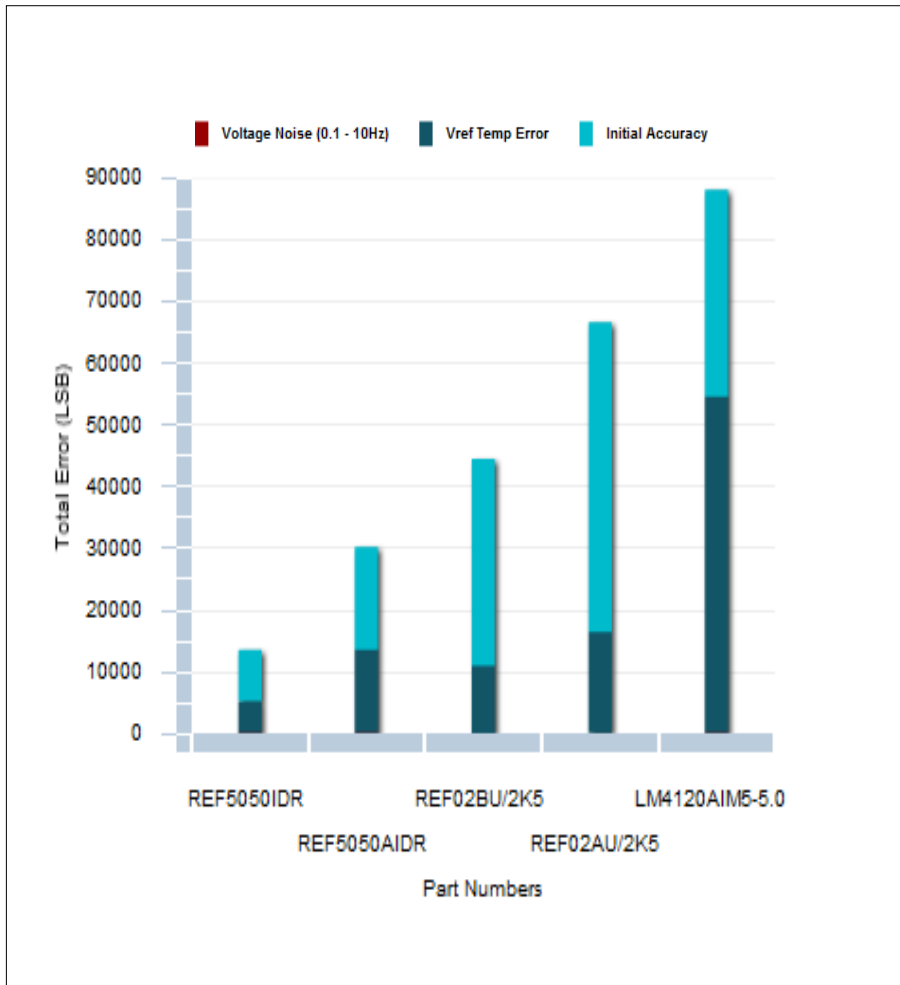
Reference Error Comparison in miliVolts (mv)

Part Number	Reference Error (mV)	After Calibration (mV)	VRef Offset (mV)	VRef Offset Drift (mV)	Noise (mV)	Initial Accuracy (%)	Temperature Drift (°C)	Quiescent Current (mA)
REF5050IDR	4	1.5	2.5	1.5	0.015	0.05	3	0.8
REF5050AIDR	9	4	5	4	0.015	0.1	8	0.8
REF02BU/2K5	13.25	3.25	10	3.25	0.004	0.2	10	1
REF02AU/2K5	19.88	4.88	15	4.88	0.004	0.3	15	1
LM4120AIM5-5.0	26.25	16.25	10	16.25	0.02	0.2	50	0.16



Reference Error Comparison in Least Significant Bits (LSB)

Part Number	Reference Error (LSB)	After Calibration (LSB)	VRefOffset (LSB)	VRefOffset Drift (LSB)	Noise (LSB)	Initial Accuracy (%)	Temperature Drift (°C)	Quiescent Current (mA)
REF5050IDR	13421.77	5033.16	8388.61	5033.16	13421.77	0.05	3	0.8
REF5050AIDR	30198.99	13421.77	16777.22	13421.77	30198.99	0.1	8	0.8
REF02BU/2K5	44459.62	10905.19	33554.43	10905.19	44459.62	0.2	10	1
REF02AU/2K5	66689.43	16357.79	50331.65	16357.79	66689.43	0.3	15	1
LM4120AIM5-5.0	88080.38	54525.95	33554.43	54525.95	88080.38	0.2	50	0.16



Reference Error Comparison in % Full Scale (%FS)

Part Number	Reference Error (%FS)	After Calibration (%FS)	VRefOffset (%FS)	VRefOffset Drift (%FS)	Noise (%FS)	Initial Accuracy (%)	Temperature Drift (°C)	Quiescent Current (mA)
REF5050IDR	0.08	0.03	0.05	0.03	0.08	0.05	3	0.8
REF5050AIDR	0.18	0.08	0.1	0.08	0.18	0.1	8	0.8
REF02BU/2K5	0.265	0.065	0.2	0.065	0.265	0.2	10	1
REF02AU/2K5	0.398	0.097	0.3	0.097	0.398	0.3	15	1
LM4120AIM5-5.0	0.525	0.325	0.2	0.325	0.525	0.2	50	0.16

