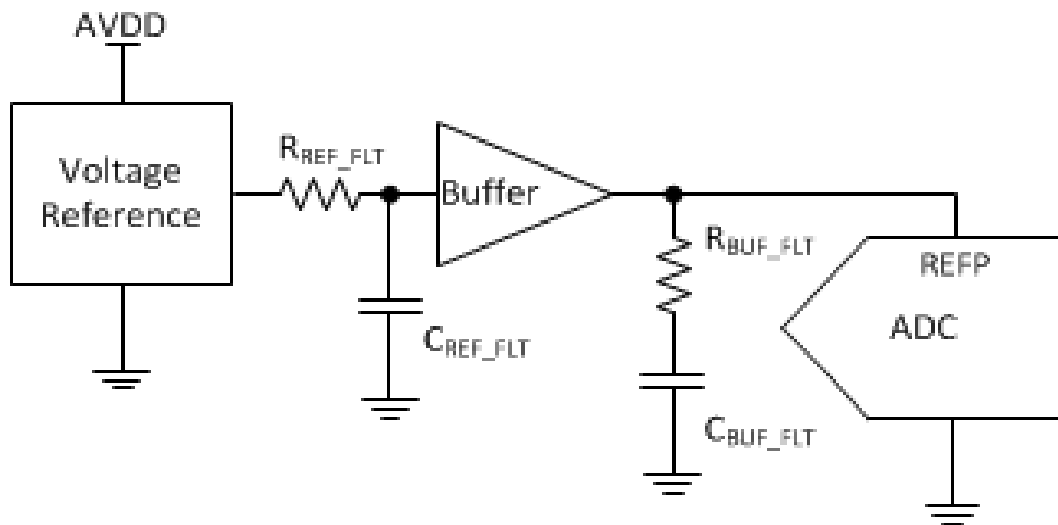




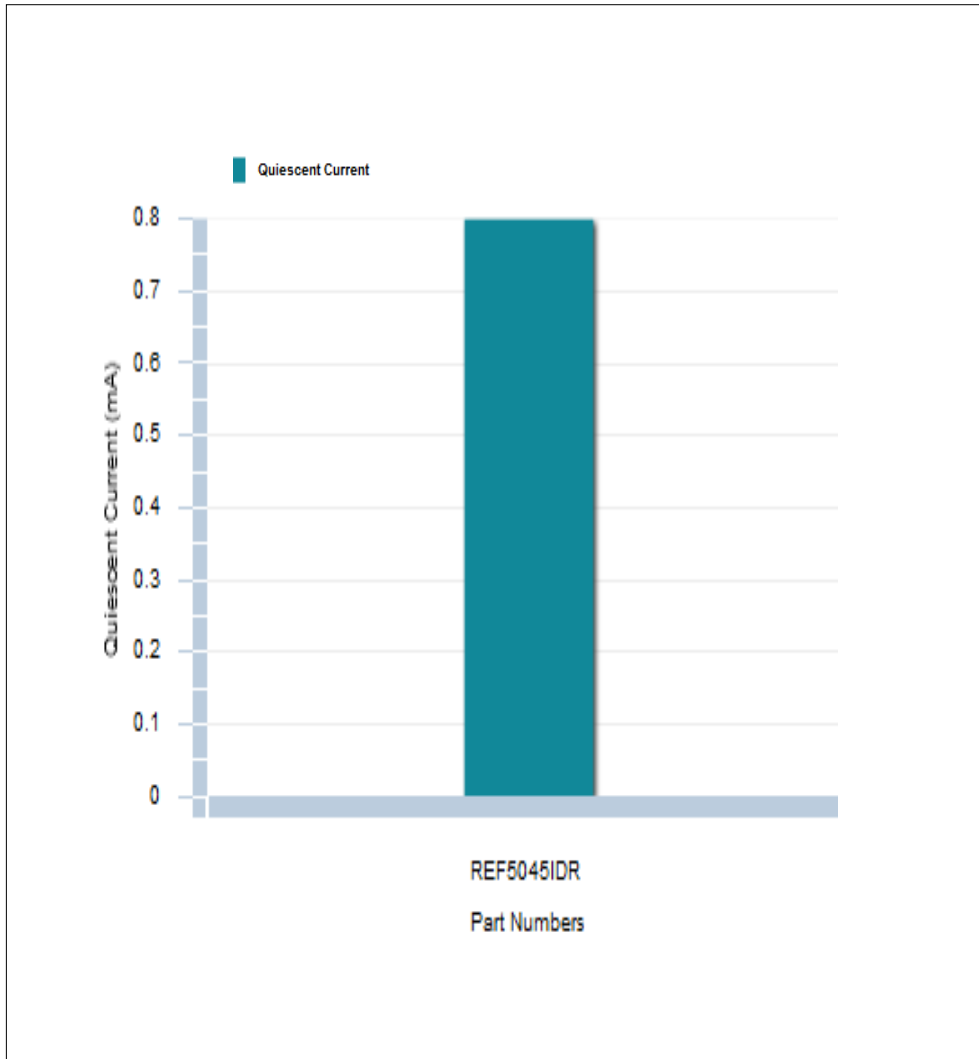
WEBENCH® Series Voltage Reference Selector

ADC Selected: ADS7949
Resolution: 8
INL : 0.3
DNL : 0.3
Digital Supply Min : 1.65
Digital Supply Max : 5.25
ADC Noise : -



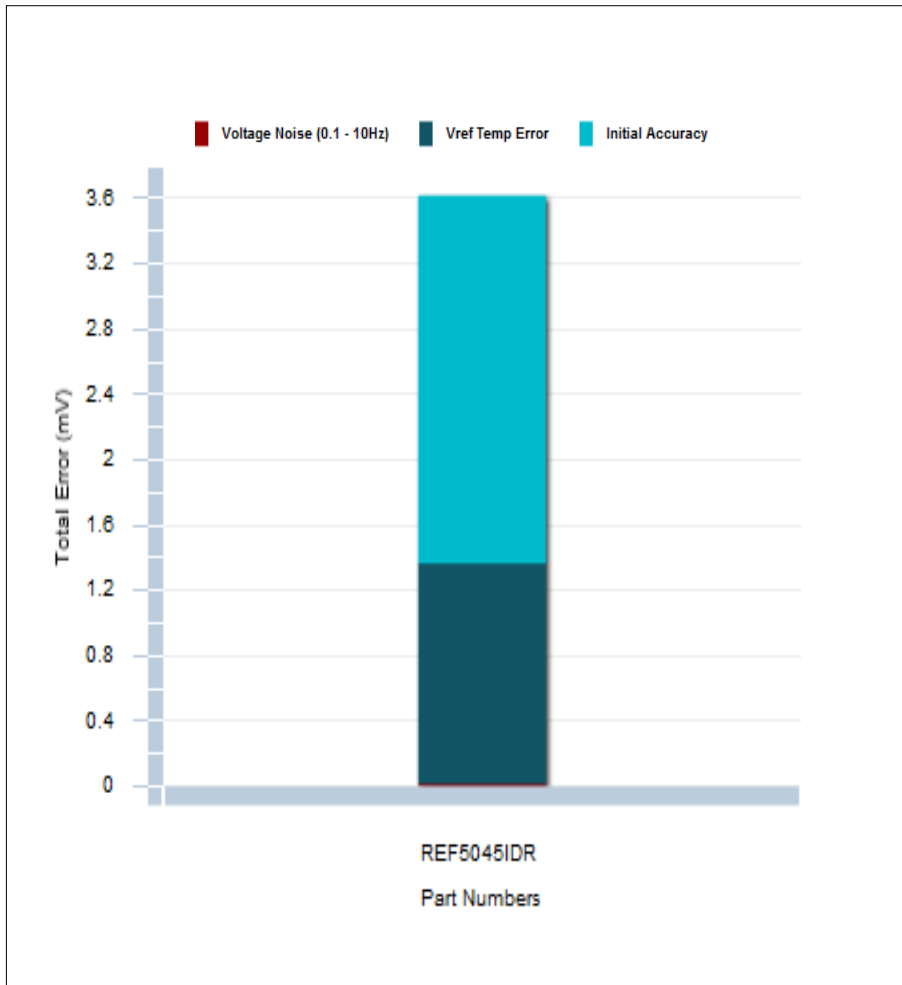
Series Voltage References

Part Number	Reference Output (V)	Initial Accuracy (%)	Temperature Drift (°C)	Quiescent Current (mA)	Min Operating Temperature (°C)	Max Operating Temperature (°C)	Voltage Noise (μVp-p)
REF5045IDR	4.5	0.05	3	0.8	-40	125	13.5



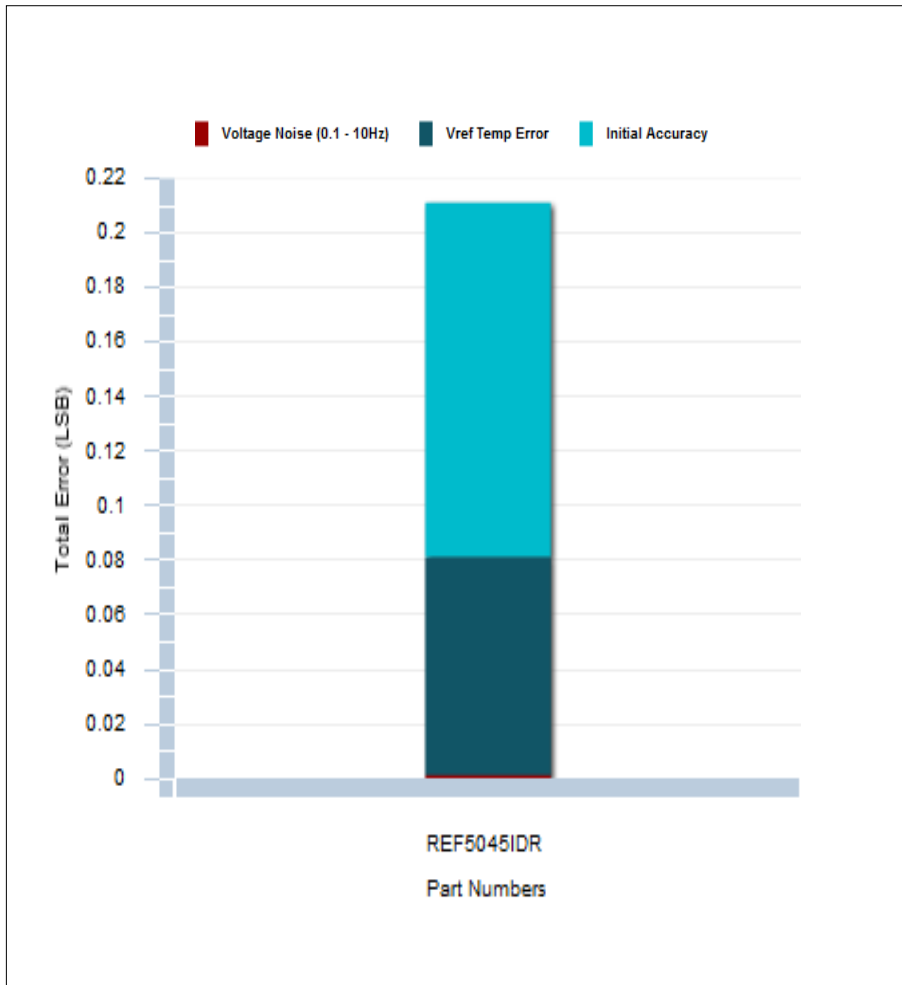
Reference Error Comparison in miliVolts (mv)

Part Number	Reference Error (mV)	After Calibration (mV)	VRef Offset (mV)	VRef Offset Drift (mV)	Noise (mV)	Initial Accuracy (%)	Temperature Drift (°C)	Quiescent Current (mA)
REF5045IDR	3.6	1.35	2.25	1.35	0.014	0.05	3	0.8



Reference Error Comparison in Least Significant Bits (LSB)

Part Number	Reference Error (LSB)	After Calibration (LSB)	VRefOffset (LSB)	VRefOffset Drift (LSB)	Noise (LSB)	Initial Accuracy (%)	Temperature Drift (°C)	Quiescent Current (mA)
REF5045IDR	0.2	0.08	0.13	0.08	0.2	0.05	3	0.8



Reference Error Comparison in % Full Scale (%FS)

Part Number	Reference Error (%FS)	After Calibration (%FS)	VRefOffset (%FS)	VRefOffset Drift (%FS)	Noise (%FS)	Initial Accuracy (%)	Temperature Drift (°C)	Quiescent Current (mA)
REF5045IDR	0.08	0.03	0.05	0.03	0.08	0.05	3	0.8

